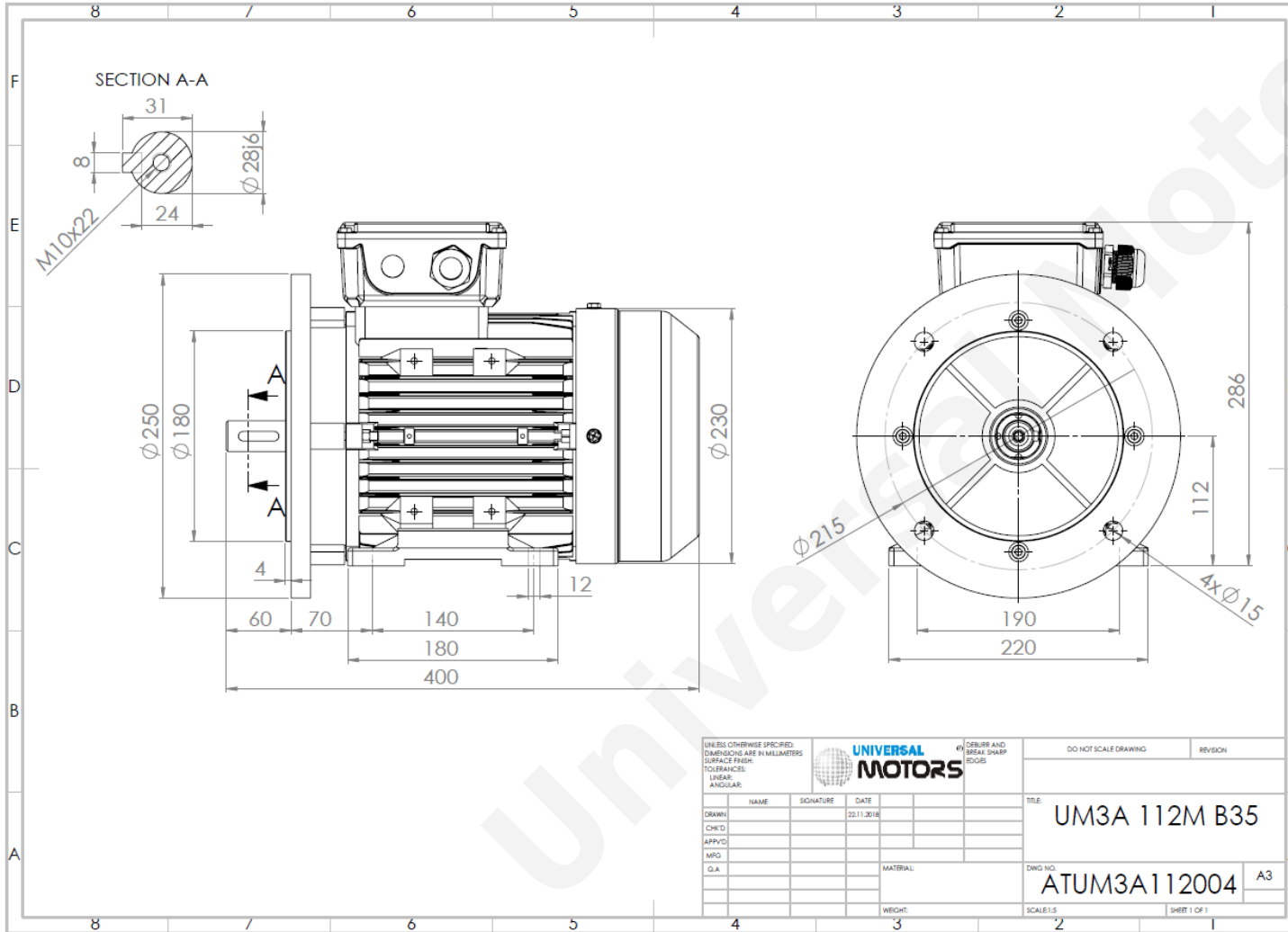




# TECHNICAL DATA

Three Phase Electric Motors - Aluminum Frame  
 PE31 112M-4  
 4 kW / 5.5 Cv  
 1450 RPM



Motor type:	<b>PE31 112M-4</b>
Output:	<b>4 kW / 5.5 Cv</b>
Speed ( $\text{min}^{-1}$ ):	<b>1450 RPM</b>
Frequency:	<b>50 Hz</b>
Voltage:	<b>400 V</b>
Current:	<b>8.0 A</b>
Power factor ( $\text{Cos } \phi$ ):	<b>0.82</b>
Poles:	<b>4</b>
Insulation class:	<b>F</b>
Temperature rise Class:	<b>B</b>
Efficiency 50%:	<b>86.8 %</b>
Efficiency 75%:	<b>87.7 %</b>
Efficiency 100%:	<b>88.6 %</b>
Torque:	<b>26.3 N.m</b>
Tstarting/Tnominal:	<b>2.3</b>
Istarting/Inominal:	<b>7.7</b>
Tmaximum/Tnominal:	<b>2.3</b>
Noise:	<b>72 Db(A)</b>
Weight:	<b>39 Kg</b>
Bearing DE:	<b>6306 2Z C3</b>
Bearing NDE:	<b>6306 2Z C3</b>

UNLESS OTHERWISE SPECIFIED: DIMENSIONS ARE IN MILLIMETERS SURFACE FINISH: TOLERANCES: LINEAR: ANGULAR:			UNIVERSAL MOTORS		#1 DEBURR AND BREAK SHARP EDGES	DO NOT SCALE DRAWING	REVISION
DRAWN	NAME	SIGNATURE	DATE	TITLE: <b>UM3A 112M B35</b>			
CHK'D			22.11.2016	DWG NO.:			
APP'VD				<b>ATUM3A112004</b>			
MFG				MATERIAL:		SCALE:1:1	A3
Q.A.				WEIGHT:		SHEET 1 OF 1	

Regime - S1

Altitude - 1000m

Environment Temperature - 40°C

## CONTACTS:

UNIVERSAL MOTORS Tel: +351 252 299 080  
 Rua de São Brás,745 Fax: +351 252 299 089  
 4480-782 VILA DO CONDE Mail: [geral@universalmotors.pt](mailto:geral@universalmotors.pt)

\* References applied only in the UK